

UNIT SIZE	IMPERIAL UNITS (inches)										
	STANDARD COILS					HIGH CAPACITY COILS					
	B	C	F	CONNECTION SIZES		B	C	A	F	CONNECTION SIZES	
				1 ROW	2 ROW					1 ROW	2 ROW
20,30	14	12 1/2	1	7/8	7/8	18	14	1 3/4	4	1/2	7/8
40	16	15	1	7/8	7/8	20	17 1/2	1 3/4	4	1/2	7/8
50	20	17 1/2	1	7/8	7/8	28	17 1/2	4 1/4	4	7/8	7/8
60	24	18	1	7/8	7/8	28	17 1/2	4 1/4	4	7/8	7/8

UNIT SIZE	METRIC UNITS (mm)										
	STANDARD COILS					HIGH CAPACITY COILS					
	B	C	F	CONNECTION SIZES		B	C	A	F	CONNECTION SIZES	
				1 ROW	2 ROW					1 ROW	2 ROW
20,30	356	318	25	22	22	457	356	44	102	13	22
40	406	381	25	22	22	508	445	44	102	13	22
50	508	445	25	22	22	711	445	108	102	22	22
60	610	457	25	22	22	711	445	108	102	22	22

NOTES:

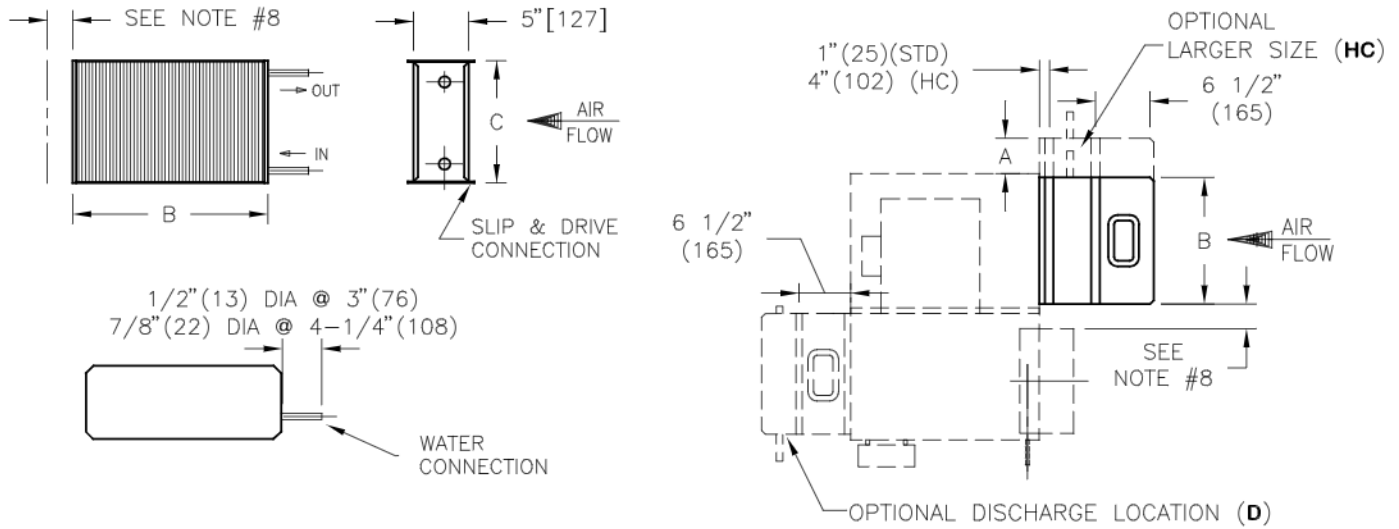
- FABRICATED FROM 22 GA. GALVANIZED STEEL. MECHANICALLY SEALED, LEAK RESISTANT CONSTRUCTION.
- HOT WATER COILS HAVE COPPER TUBES AND ALUMINUM FINS WITH O.D. SWEAT CONNECTIONS.
- REFER TO SUBMITTED TERMINAL UNIT SCHEDULE FOR AIR VOLUMES AND HOT WATER COIL CAPACITIES.
- METHOD OF VENTING HOT WATER COIL IS TO BE PROVIDED BY INSTALLING CONTRACTOR
- SLIP & DRIVE FLANGED ADAPTOR REQUIRED TO ATTACH HOT WATER COILS TO FANS.
- HAND OF HOT WATER COIL CONNECTIONS IS DETERMINED WHEN VIEWED FROM AIR INLET SIDE. RIGHT HAND COIL CONNECTION IS ILLUSTRATED ABOVE. LEFT HAND CONNECTION NOT AVAILABLE.
- ALLOW 1 1/2 " (38) MINIMUM CLEARANCE FOR INSTALLATION AT THIS END.
- WATER COILS ARE MOUNTED ON RETURN AIR INLET.
- PERFORMANCE RATED AND CERTIFIED IN ACCORDANCE WITH THE CURRENT EDITION OF ARI STANDARD 410.
- STANDARD COILS SUPPLIED WITH 10 FINS PER INCH.

OPTIONS:

- HC – HIGH CAPACITY COILS SUPPLIED WITH 12 FINS PER INCH.
- D – DISCHARGE COIL LOCATION

ALL METRIC DIMENSIONS () ARE SOFT CONVERTED. IMPERIAL DIMENSIONS ARE CONVERTED TO METRIC AND ROUNDED TO THE NEAREST MILLIMETER.

PROJECT:		PRICE[®]	
ENGINEER:		BG	HOT WATER COILS FAN POWERED TERMINALS FPV,FEV,FDV 1-ROW or 2-ROW SIZES 20-60
CUSTOMER:		231172	
SUBMITTAL DATE:	SPEC. SYMBOL:	OCT 08	



ACCESS DOOR OPTIONS:

- CAD—ACCESS DOOR W/SCREWS
4" (102) x 6 3/4" (171)
- CADL—ACCESS DOOR W/SNAP LATCHES
4" (102) x 6 3/4" (171)
- CADQ — COIL ACCESS DOOR W/QUARTER TURN SASH LATCHES
4" (102) x 6 3/4" (171)

UNIT SIZE	IMPERIAL UNITS (inches)								
	STANDARD COILS				HIGH CAPACITY COILS				
	B	C	CONNECTION SIZES		B	C	A	CONNECTION SIZES	
			1 ROW	2 ROW				1 ROW	2 ROW
20,30	14	12 1/2	7/8	7/8	18	14	1 3/4	1/2	7/8
40	16	15	7/8	7/8	20	17 1/2	1 3/4	1/2	7/8
50	20	17 1/2	7/8	7/8	28	17 1/2	4 1/4	7/8	7/8
60	24	18	7/8	7/8	28	17 1/2	4 1/4	7/8	7/8

UNIT SIZE	METRIC UNITS (mm)								
	STANDARD COILS				HIGH CAPACITY COILS				
	B	C	CONNECTION SIZES		B	C	A	CONNECTION SIZES	
			1 ROW	2 ROW				1 ROW	2 ROW
20,30	356	318	22	22	457	356	44	13	22
40	406	381	22	22	508	445	44	13	22
50	508	445	22	22	711	445	108	22	22
60	610	457	22	22	711	445	108	22	22

NOTES:

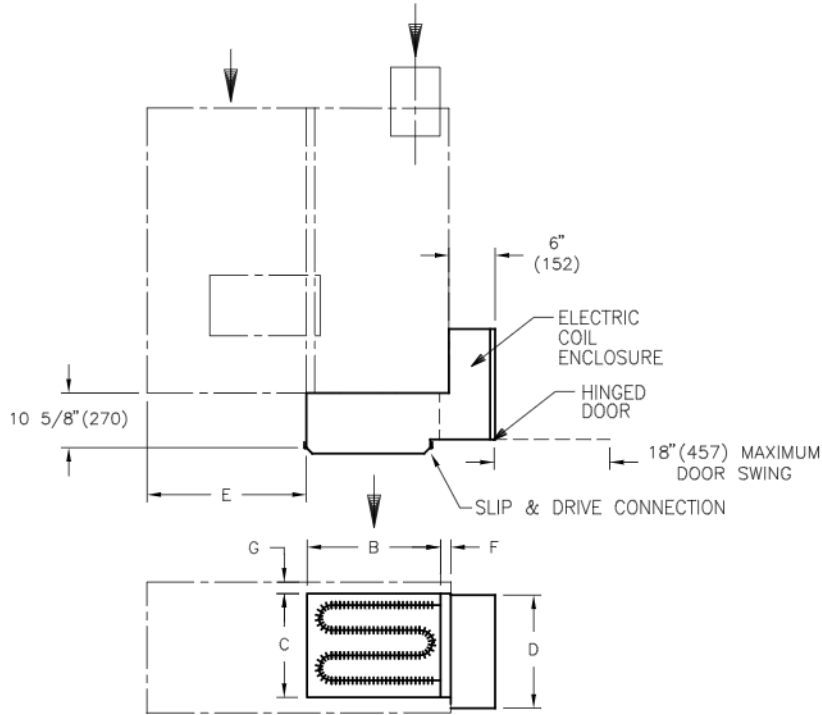
- FABRICATED FROM 22 GA. GALVANIZED STEEL. MECHANICALLY SEALED, LEAK RESISTANT CONSTRUCTION.
- HOT WATER COILS HAVE COPPER TUBES AND ALUMINUM FINS WITH O.D. SWEAT CONNECTIONS.
- REFER TO SUBMITTED TERMINAL UNIT SCHEDULE FOR AIR VOLUMES AND HOT WATER COIL CAPACITIES.
- METHOD OF VENTING HOT WATER COIL IS TO BE PROVIDED BY INSTALLING CONTRACTOR
- SLIP & DRIVE FLANGED ADAPTOR REQUIRED TO ATTACH HOT WATER COILS TO FANS.
- QUICK OPENING ACCESS DOOR FOR INSPECTION AND MAINTENANCE OF COIL IS FEATURED.
- HAND OF HOT WATER COIL CONNECTIONS IS DETERMINED WHEN VIEWED FROM AIR INLET SIDE. RIGHT HAND COIL CONNECTION IS ILLUSTRATED ABOVE. LEFT HAND CONNECTION NOT AVAILABLE.
- ALLOW 1 1/2" (38) MINIMUM CLEARANCE FOR INSTALLATION AT THIS END.
- WATER COILS ARE MOUNTED ON RETURN AIR INLET.
- PERFORMANCE RATED AND CERTIFIED IN ACCORDANCE WITH THE CURRENT EDITION OF ARI STANDARD 410.
- STANDARD COILS SUPPLIED WITH 10 FINS PER INCH.

OPTIONS:

- HC —HIGH CAPACITY COILS SUPPLIED WITH 12 FINS PER INCH.
- D — DISCHARGE COIL LOCATION

ALL METRIC DIMENSIONS () ARE SOFT CONVERTED. IMPERIAL DIMENSIONS ARE CONVERTED TO METRIC AND ROUNDED TO THE NEAREST MILLIMETER.

PROJECT:		PRICE®	
ENGINEER:		BG	HOT WATER COILS FAN POWERED TERMINALS FPV, FDV WITH ACCESS DOOR SIZES 20-60
CUSTOMER:		231173	
SUBMITTAL DATE:	SPEC. SYMBOL:	2012/08/16	



UNIT SIZE	OUTLET DUCT SIZE B x C	D	E	F	G
20,30	14x12 1/2 (356x318)	15 (381)	16 1/4 (413)	3/4 (19)	7/8 (22)
40	16x15 (406x381)	15 (381)	18 1/4 (464)	3/4 (19)	7/8 (22)
50	20x17 1/2 (508x445)	17 (432)	21 1/2 (546)	3/4 (19)	7/8 (22)
60	24x18 (610x457)	17 (432)	17 1/2 (445)	3/4 (19)	7/8 (22)

SIZES 20-60

SEE CATALOGUE FOR DETAILED AIR FLOW RANGE AND CAPACITY.

STANDARD FEATURES

- HINGED ACCESS DOOR
- AUTOMATIC RESET THERMAL CUTOUT
- MANUAL RESET THERMAL CUTOUT
- FAN INTERLOCKED WITH HEATING ELEMENTS
- MAGNETIC CONTACTORS WHERE REQUIRED
- 20 GA. GALVANIZED STEEL CONSTRUCTION.
- HIGH GRADE NICKEL CHROME HEATING ELEMENTS
- REFER TO SUBMITTED CONTROL DIAGRAMS FOR STANDARD CONTROL COMPONENTS TO BE SUPPLIED
- SINGLE POINT ELECTRICAL CONNECTION, EXCEPT SEPARATE POWER SUPPLY FOR 600/3Ø/3 WIRE
- SUPPLY VOLTAGE:

- 115/1Ø
- 208/1Ø (3 WIRE)
- 240/1Ø
- 277/1Ø
- 208/3Ø (4 WIRE)
- 480/3Ø (4 WIRE)
- 600/3Ø (3 OR 4 WIRE)

OPTIONAL FEATURES

- AIR FLOW SWITCH
- CHICAGO CONSTRUCTION (CBC2000)
- CONTROL CIRCUIT FUSE
- DOOR INTERLOCK DISCONNECT SWITCH
- MAIN SUPPLY FUSES
- MOTOR FUSE
- MERCURY CONTACTORS
- SCR CONTROLS SCR-DAT CONTROLS™
- 0 to 10 Vdc CONTROL SIGNAL
- 4 to 20 mA CONTROL SIGNAL
- DP – DUAL POINT POWER CONNECTION

NOTES

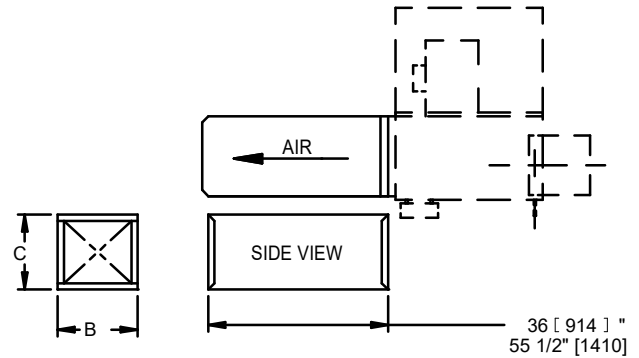
- 70 CFM PER KW MINIMUM AIR FLOW ACROSS HEATER COILS.
- MINIMUM 0.2" w.g. (50 Pa) EXTERNAL STATIC PRESSURE TO OPERATE.
- ASSEMBLY ETL CERTIFIED TO UL1995 & CSA236.
- *FOR SCR OPTION WITH PNEUMATIC CONTROL SIGNAL CONTACT PRICE

ALL METRIC DIMENSIONS () ARE SOFT CONVERTED. IMPERIAL DIMENSIONS ARE CONVERTED TO METRIC AND ROUNDED TO THE NEAREST MILLIMETER.

PROJECT:		PRICE®
ENGINEER:		
CUSTOMER:		GF
SUBMITTAL DATE:		231176
SPEC. SYMBOL:		2015/04/14
		ELECTRIC COILS VARIABLE VOLUME FAN POWERED TERMINALS SIZES 20 – 60

DISCHARGE ATTENUATOR SECTION (DAS-3FT OR DAS5-5FT)

SIZE	IMPERIAL UNITS		S.I. UNITS	
	B	C	B	C
20,30	14	12Ø	356	318
40	16	15	406	381
50	20	17Ø	508	445
60	24	18	610	457

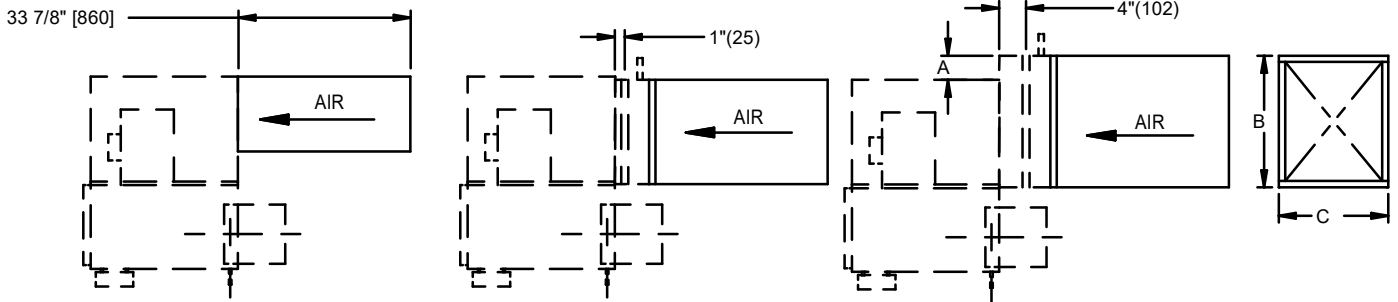


- 22GA. ZINC COATED STEEL HOUSING MECHANICALLY SEALED AND GASKETED, LEAK RESISTANT CONSTRUCTION.
- INTERNAL INSULATION - FIBERGLASS 3/4" (19)THICK, MIN. 1.5# DENSITY WHICH MEETS REQUIREMENTS OF NFPA 90A AND UL181.

OPTIONS:

LINERS: FF FB PM SM AFPM 1" (25mm) FIBERGLASS

INLET ATTENUATOR SECTION (IAS)



W/OUT WATER COIL

SIZE	IMPERIAL UNITS		S.I. UNITS	
	B	C	B	C
20,30	15	17Ø	381	445
40	18	17Ø	457	445
50	23	20	584	508
60	23	20	584	508

WITH STANDARD WATER COIL

SIZE	IMPERIAL UNITS		S.I. UNITS	
	B	C	B	C
20,30	14	12Ø	356	318
40	16	15	406	381
50	20	17Ø	508	445
60	24	18	610	457

WITH HIGH CAPACITY COIL

SIZE	IMPERIAL UNITS			S.I. UNITS		
	B	C	A	B	C	A
20,30	18	14	1à	457	356	44
40	20	17Ø	1à	508	445	44
50	28	17Ø	4Đ	711	445	108
60	28	17Ø	4Đ	711	445	108

- 22GA. ZINC COATED STEEL HOUSING MECHANICALLY SEALED AND GASKETED, LEAK RESISTANT CONSTRUCTION.
- INTERNAL INSULATION - FIBERGLASS 2" (51)THICK, MIN. 1.5# DENSITY WHICH MEETS REQUIREMENTS OF NFPA 90A AND UL181.


OPTIONS:

LINERS: FB PM AFPM FF - 3/4"(19mm) THICK
 ● SM IS NOT AVAILABLE, PM WILL BE SUPPLIED INSTEAD.

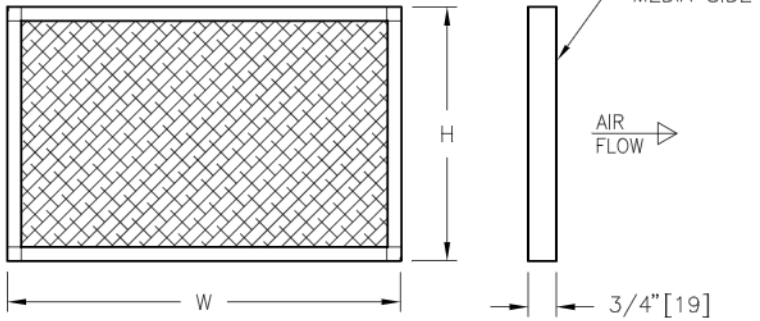
GENERAL NOTES:

- SLIP AND DRIVE CONNECTION ENDS PROVIDED ON DISCHARGE ATTENUATORS ONLY.
- ATTENUATORS SHIPPED LOOSE WITH SLIP AND DRIVE CLEATS OR MOUNTING ANGLES WHERE REQUIRED.

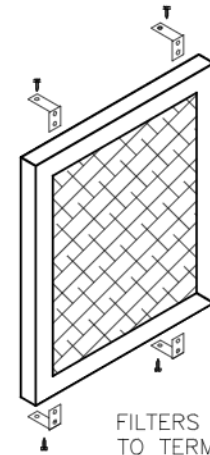
ALL METRIC DIMENSIONS () ARE SOFT CONVERTED. IMPERIAL DIMENSIONS ARE CONVERTED TO METRIC AND ROUNDED TO THE NEAREST MILLIMETER.

PROJECT:		 ATTENUATORS FAN POWERED TERMINALS FPV, FEV, FDV SIZES 20-60
ENGINEER:		
CUSTOMER:		
SUBMITTAL DATE:	SPEC. SYMBOL:	
		4 231174 12/05/2022

RETURN AIR FILTER ASSEMBLY (FTR)

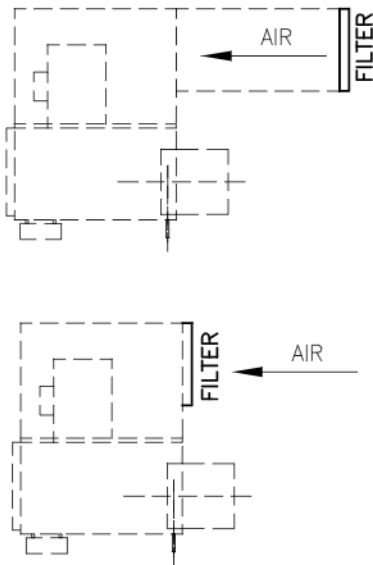


- 1" (25) FILTER MEDIA.
- CARDBOARD FRAME.
- MERV 3 RATING (THROWAWAY).



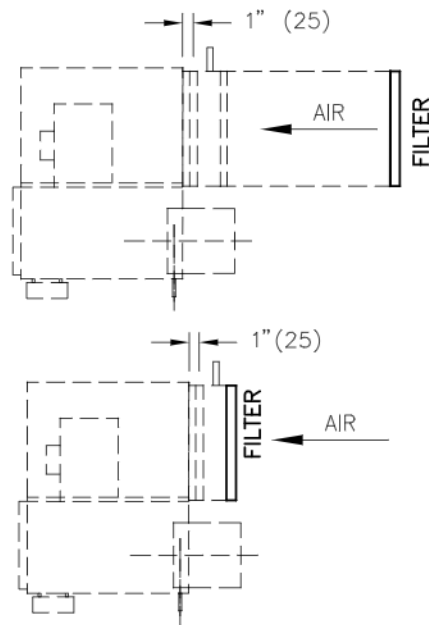
FILTERS ARE CLIPPED TO TERMINAL CASING

W/OUT WATER COIL



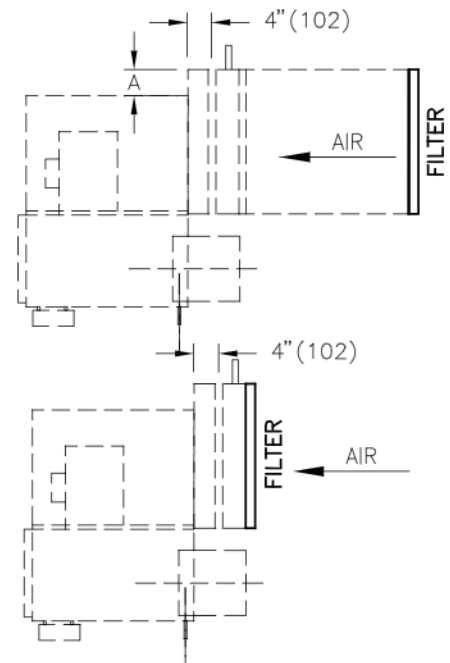
SIZE	IMPERIAL UNITS		S.I. UNITS	
	W	H	W	H
20,30	14 ⁷ / ₈	17 ³ / ₈	378	441
40	17 ⁷ / ₈	17 ³ / ₈	454	441
50	23	19 ⁷ / ₈	584	505
60	23	19 ⁷ / ₈	584	505

WITH STANDARD WATER COIL



SIZE	IMPERIAL UNITS		S.I. UNITS	
	W	H	W	H
20,30	15 ¹ / ₂	12 ³ / ₈	394	314
40	17 ³ / ₈	14 ⁷ / ₈	441	378
50	19 ⁷ / ₈	17 ³ / ₈	505	441
60	25 ¹ / ₂	17 ⁷ / ₈	597	454

HIGH CAPACITY WATER COIL



SIZE	IMPERIAL UNITS			S.I. UNITS		
	W	H	A	W	H	A
20,30	20 ¹ / ₂	13 ⁷ / ₈	1 ³ / ₄	521	352	44
40	19 ⁷ / ₈	17 ³ / ₈	1 ³ / ₄	454	441	44
50	29 ⁷ / ₈	17 ³ / ₈	4 ¹ / ₄	759	441	108
60	29 ⁷ / ₈	17 ³ / ₈	4 ¹ / ₄	759	441	108

ALL METRIC DIMENSIONS () ARE SOFT CONVERTED. IMPERIAL DIMENSIONS ARE CONVERTED TO METRIC AND ROUNDED TO THE NEAREST MILLIMETER.

PROJECT:

ENGINEER:

CUSTOMER:

SUBMITTAL DATE:

SPEC. SYMBOL:



GF

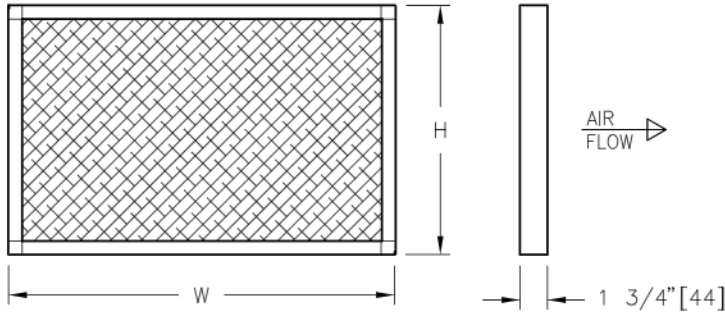
231175

2014/11/17

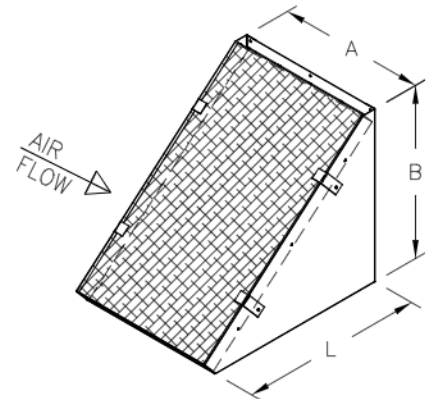
FILTERS

FAN POWERED TERMINALS
FPV, FDV
SIZES 20-60
MERV3

BOOT FILTER

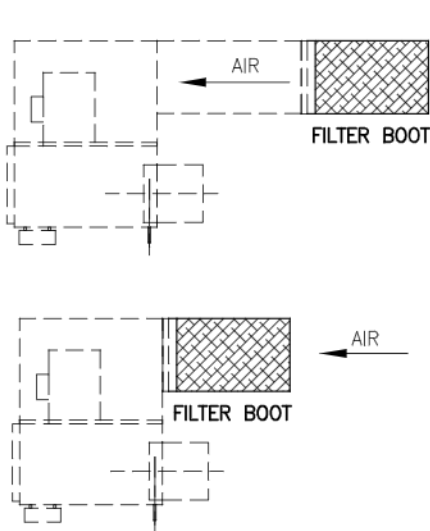


- 2" (51) FILTER MEDIA.
- CARDBOARD FRAME.
- MERV 8 RATING (FTR-M82)
- MERV 13 RATING (FTR-M132)



FILTER BOOT

W/OUT WATER COIL

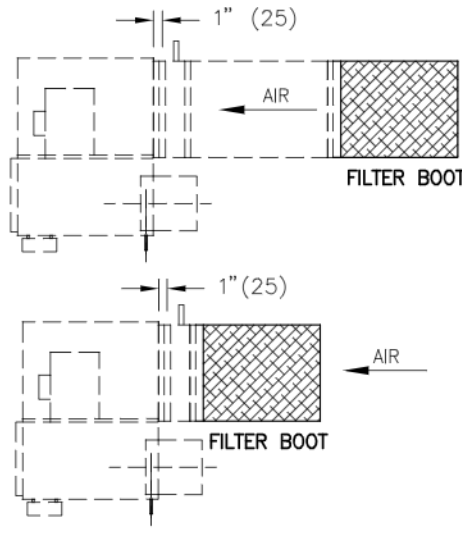


ACTUAL FILTER SIZE

SIZE	IMPERIAL UNITS		S.I. UNITS	
	W	H	W	H
20,30	14 1/2	24 1/2	368	622
40	17 1/2	24 1/2	445	622
50	23 3/8	23 3/8	594	594
60	23 3/8	23 3/8	594	594

SIZE	BOOT SIZE, in			BOOT SIZE, mm		
	A	B	L	A	B	L
20,30	15	17 1/2	19 7/8	381	445	505
40	18	17 1/2	19 7/8	457	445	505
50	24	20	15 1/2	610	508	394
60	24	20	15 1/2	610	508	394

WITH STANDARD WATER COIL

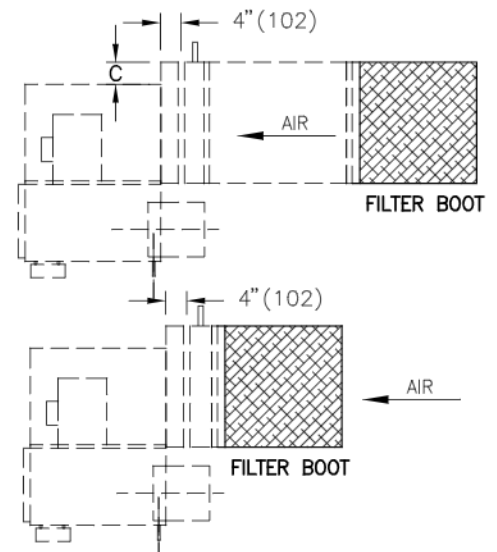


ACTUAL FILTER SIZE

SIZE	IMPERIAL UNITS		S.I. UNITS	
	W	H	W	H
20,30	13 1/2	24 1/2	343	622
40	15 1/2	24 1/2	394	622
50	19 1/2	24 1/2	495	622
60	23 3/8	23 3/8	594	594

SIZE	BOOT SIZE, in			BOOT SIZE, mm		
	A	B	L	A	B	L
20,30	14	12 1/2	23	356	318	584
40	16	15	21 5/8	406	381	551
50	20	17 1/2	19 7/8	508	445	505
60	24	18	17 7/8	610	457	455

WITH HIGH CAPACITY WATER COIL



ACTUAL FILTER SIZE

UNIT SIZE	IMPERIAL UNITS			S.I. UNITS		
	FILTER		C	FILTER		C
	W	H		W	H	
20,30	17 1/2	24 1/2	1 3/4	445	622	44
40	19 1/2	24 1/2	1 3/4	495	622	44
50	27 1/2	24 1/2	4 1/4	699	622	108
60	27 1/2	24 1/2	4 1/4	699	622	108

SIZE	BOOT SIZE, in			BOOT SIZE, mm		
	A	B	L	A	B	L
20,30	18	14	22 1/4	457	356	565
40	20	17 1/2	19 7/8	508	445	505
50	28	17 1/2	19 7/8	711	445	505
60	28	17 1/2	19 7/8	711	445	505

ALL METRIC DIMENSIONS () ARE SOFT CONVERTED. IMPERIAL DIMENSIONS ARE CONVERTED TO METRIC AND ROUNDED TO THE NEAREST MILLIMETER.

PROJECT:

ENGINEER:

CUSTOMER:

SUBMITTAL DATE:

SPEC. SYMBOL:



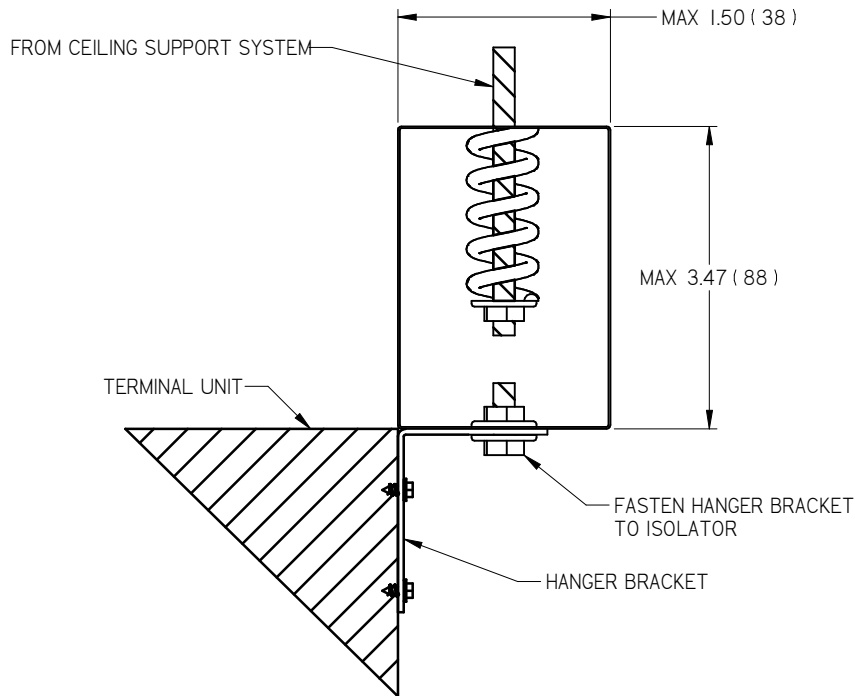
BG

231175

2010/11/19

FILTERS

FAN POWERED TERMINALS
FPV, FDV
SIZES 20-60
MERV8 OR MERV13





PRODUCT	HBS QTY REQUIRED						
	BASE UNIT	DAS/SLR	IAS/IAS90	EC/WC	EC+SM/PM LINER	RSLR	DOAS SENSIBLE COOLING COIL
FxV 20-30	RED (X4)	RED (X2)	RED (X2)	-	RED (X2)	-	-
FxV 40-60	YELLOW (X4)	RED (X2)	RED (X2)	-	-	-	-
FxVLP 20-40	RED (X4)	RED (X2)	RED (X2)	-	-	-	-
FDCLP2 10	RED (X4)	RED (X2)	RED (X2)	-	-	-	-
FDCLP2 20-30	RED (X4)	RED (X2)	RED (X2)	RED (X2)	-	-	-
FDCLP2 50	YELLOW (X4)	RED (X2)	-	YELLOW (X2)	-	-	-
FDCLP2 50 14x8	YELLOW (X6)	RED (X2)	-	YELLOW (X2)	-	-	-
FDCLP2 DOAS 10	YELLOW (X4)	RED (X2)	-	-	-	RED (X2)	RED (X2)
FDCLP2 DOAS 20,30,50	YELLOW (X4)	RED (X2)	-	YELLOW (X2)	-	RED (X2)	RED (X2) SEE NOTE 5
FDCLP2 DOAS 50 14x8	YELLOW (X6)	RED (X2)	-	YELLOW (X2)	-	RED (X2)	RED (X2) SEE NOTE 5

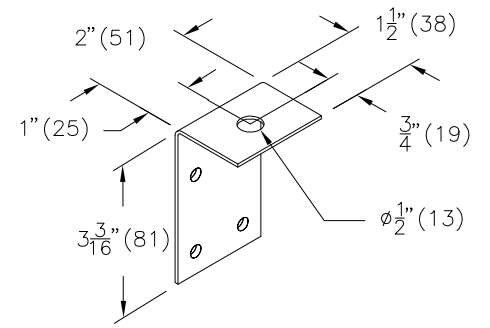
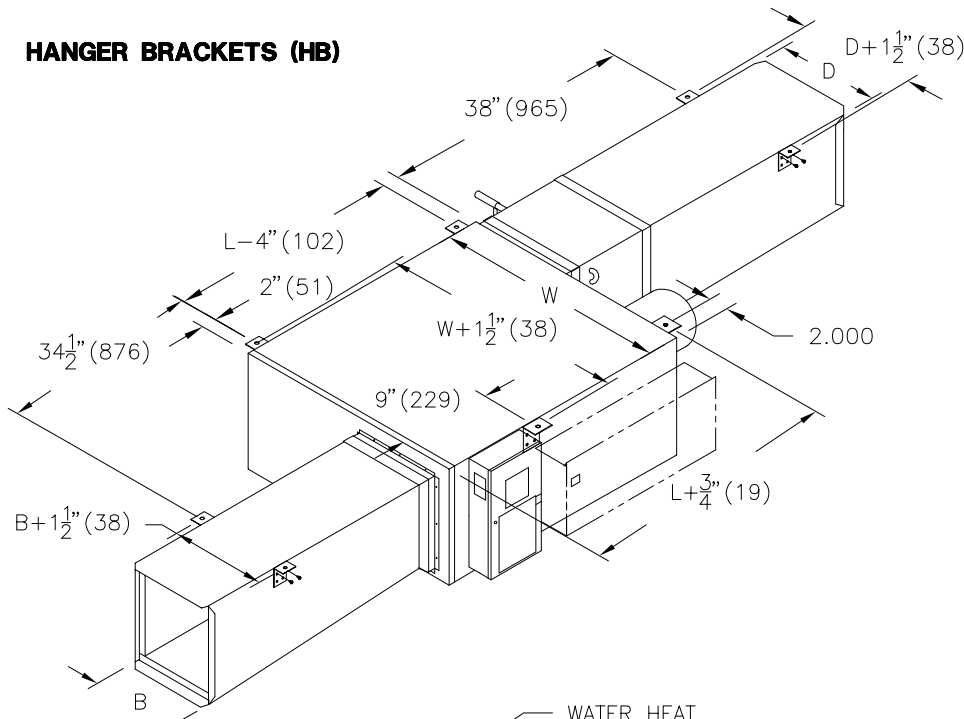
NOTES:

1. HANGER BRACKETS AND SPRING LOADED BRACKETS ARE SHIPPED LOOSE FOR FIELD INSTALLATION BY OTHERS
2. ORIENT THE ISOLATOR AS SHOWN TO PROPERLY DAMPEN TERMINAL
3. RED SPRING LOAD RANGE: 16 LBS - 35 LBS
4. YELLOW SPRING LOAD RANGE: 36 LBS - 65 LBS
5. FOR FDCLP2 DOAS SIZE 50 8 ROW COIL USE YELLOW (X2)

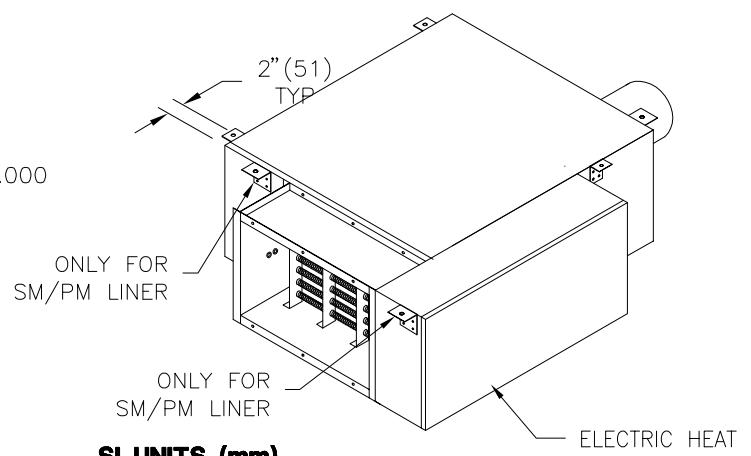
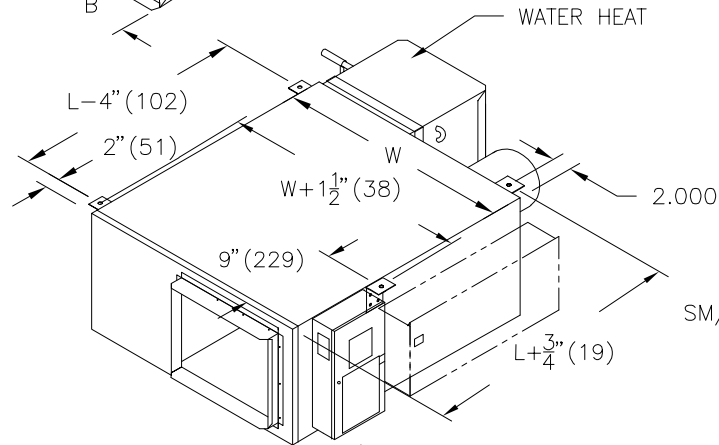
ALL METRIC DIMENSIONS () ARE SOFT CONVERTED. IMPERIAL DIMENSIONS ARE CONVERTED TO METRIC AND ROUNDED TO THE NEAREST MILLIMETER.

PROJECT:		 HBS HANGER BRACKET SPRING ISOLATION
ENGINEER:		
CUSTOMER:		
SUBMITTAL DATE:	SPEC. SYMBOL:	
		 241538 06/24/2020

HANGER BRACKETS (HB)



HANGER BRACKET (HB)



IMPERIAL UNITS (inches)

UNIT SIZE	B	D	L	W
20,30	14	14	25 1/2	31
40	16	16	29 1/2	35
50	20	20	35	42 1/4
60	24	24	36 1/4	42 1/4

SI UNITS (mm)

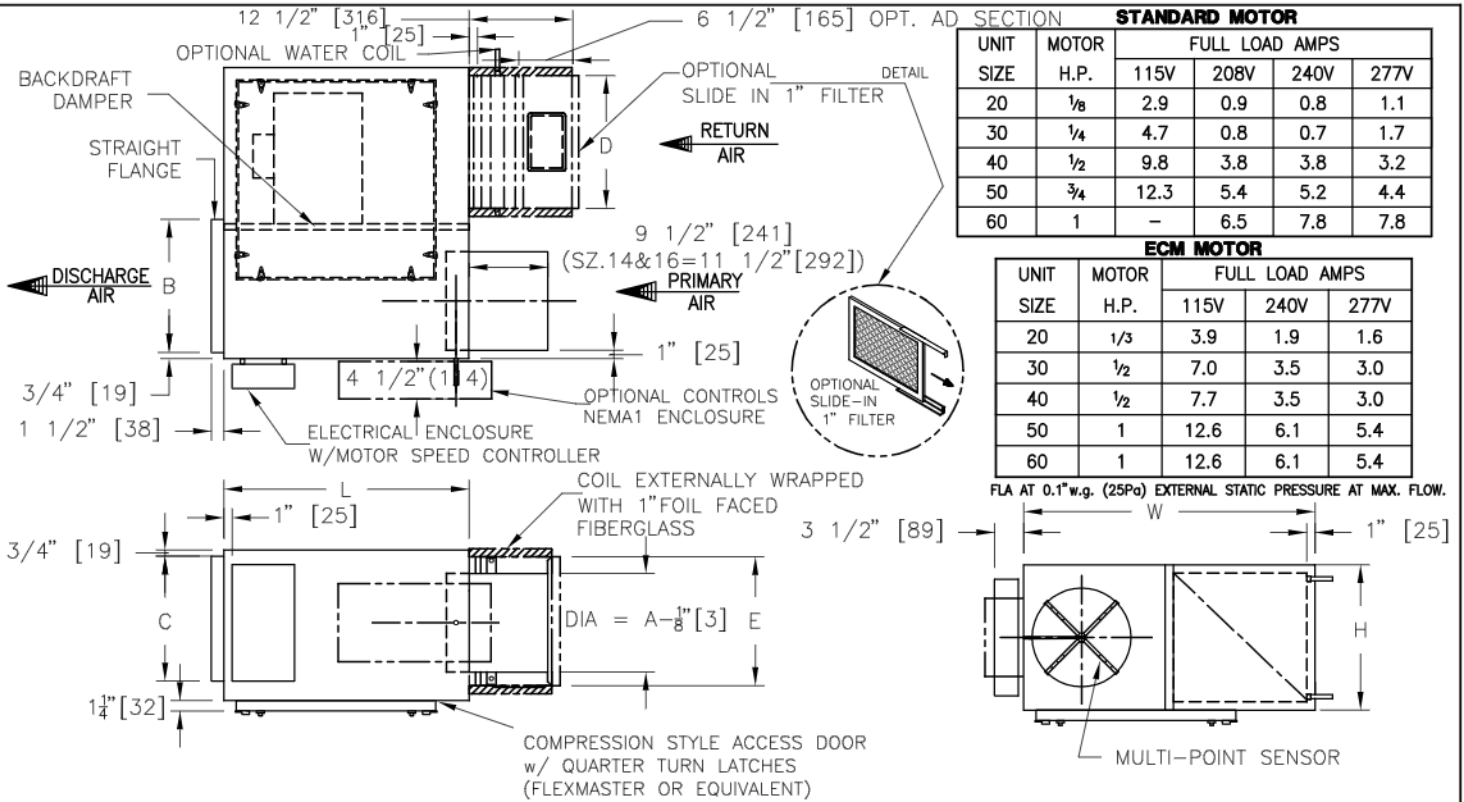
UNIT SIZE	B	D	L	W
20,30	356	330	648	787
40	406	330	750	978
50	508	533	889	1073
60	610	533	921	1073

NOTES:

- HANGER BRACKETS ARE 12 GAUGE ZINC COATED STEEL.
- 4 PER FAN UNIT, 2 PER ATTENUATOR.
- 4 PER FAN UNIT, 2 ADDITIONAL HANGER BRACKETS FOR ELECTRIC COIL & SM/PM LINER FOR SIZE 20 & 30 ONLY.
- BRACKETS ARE SHIPPED LOOSE FOR FIELD INSTALLATION FOR USE WITH THREADED HANGER RODS. (BY OTHERS)
- LAYOUT INDICATES SUGGESTED HANGER BRACKET LOCATIONS.

ALL METRIC DIMENSIONS () ARE SOFT CONVERTED. IMPERIAL DIMENSIONS ARE CONVERTED TO METRIC AND ROUNDED TO THE NEAREST MILLIMETER.

PROJECT:		PRICE®	
ENGINEER:			
CUSTOMER:		GF	ACCESSORIES HANGER BRACKETS (HB) LOCATIONS FOR FDV
SUBMITTAL DATE:		255507	
SPEC. SYMBOL:		2010/09/02	



UNIT SIZE	MOTOR H.P.	FULL LOAD AMPS			
		115V	208V	240V	277V
20	1/8	2.9	0.9	0.8	1.1
30	1/4	4.7	0.8	0.7	1.7
40	1/2	9.8	3.8	3.8	3.2
50	3/4	12.3	5.4	5.2	4.4
60	1	-	6.5	7.8	7.8

UNIT SIZE	MOTOR H.P.	FULL LOAD AMPS		
		115V	240V	277V
20	1/3	3.9	1.9	1.6
30	1/2	7.0	3.5	3.0
40	1/2	7.7	3.5	3.0
50	1	12.6	6.1	5.4
60	1	12.6	6.1	5.4

IMPERIAL UNITS (Inches)

UNIT SIZE	MAXIMUM FAN CFM	PRIMARY AIR INLET A	RETURN AIR INLET		OUTLET DUCT SIZE		W	H	L	GAUGE	ACCESS SIZES
			D	E	B	C					
20	750	6,8,10	14	12 1/2	14	12 1/2	31	17 1/2	25 1/2	22	18 x 18
30	1350	8,10,12	14	12 1/2	14	12 1/2	31	17 1/2	25 1/2	22	
40	2000	10,12,14	16	15	16	15	35	17 1/2	29 1/2	20	24 x 24
50	2400	12,14,16	20	17 1/2	20	17 1/2	42 1/4	20	35	20	
60	3000	14,16	24	18	24	18	42 1/4	20	36 1/4	20	

SI UNITS (mm)

UNIT SIZE	MAXIMUM FAN L/S	PRIMARY AIR INLET A	RETURN AIR INLET		OUTLET DUCT SIZE		W	H	L	GAUGE	ACCESS SIZES
			D	E	B	C					
20	354	152,203,254	356	318	356	318	787	445	648	22	457 x 457
30	637	203,254,305	356	318	356	318	787	445	648	22	
40	943	254,305,356	406	381	406	381	889	445	750	20	610 x 610
50	1132	305,356,406	508	445	508	445	1073	508	889	20	
60	1415	356,406	610	457	610	457	1073	508	921	20	

- NOTES:**
- INTERNAL INSULATION - FIBERGLASS 3/4" (19mm) THICK, MIN. 1.5# DENSITY WHICH MEETS THE REQUIREMENTS OF NFPA 90A AND UL181. UNIT INTERNALLY SEALED WITH DUCT SEALER (FIBERGLASS) OR HARDCAST 1602 TAPE (ALL OTHER LINERS).
 - ZINC COATED STEEL HOUSING, GAUGES SHOWN IN TABLE.
 - LOW LEAKAGE DAMPER CONSTRUCTION WITH A DOUBLE GASKET.
 - LEAKAGE CERTIFICATION LABEL PROVIDED BY FACTORY.
 - UNITS NOT TO BE USED FOR TEMPORARY HEAT OR VENTILATION DURING CONSTRUCTION.
 - MINIMUM 0.1" w.g. (25 Pa) EXTERNAL STATIC PRESSURE TO OPERATE. (UNITS WITH ELECTRIC HEAT REQUIRE MINIMUM 0.2" w.g. (50 Pa))
 - ELECTRIC MOTORS 1 PHASE, 60 CYCLE.
 - LISTED UL1995 & CSA236 ASSEMBLY.
 - HOT WATER COILS HAVE COPPER TUBES AND ALUMINUM FINS WITH O.D. SWEAT CONNECTIONS.
 - METHOD OF VENTING REHEAT COIL IS TO BE PROVIDED BY INSTALLING CONTRACTOR.
 - DIGITAL CONTROLS BY CONTROL CONTRACTOR.
 - CONTROLS MOUNTED ON LEFT HAND SIDE OF UNIT AS ILLUSTRATED, RIGHT HAND CONFIGURATION IS ALSO AVAILABLE.

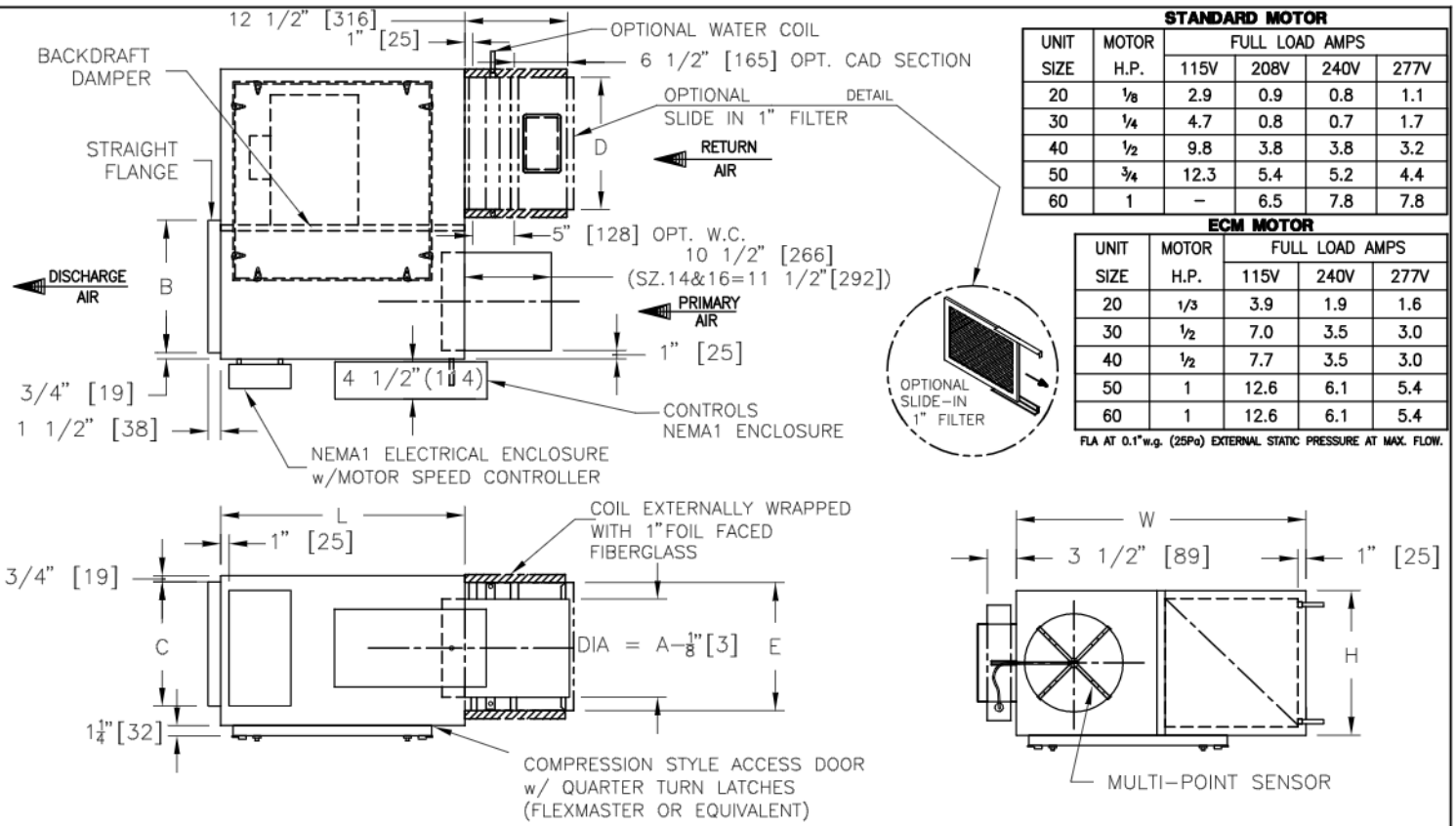
- OPTIONS:**
- ECM MOTOR
 - DISCONNECT SWITCH (DSW)
 - 20GA CASING (SZ. 20,30 ONLY)
 - CONTROLS ENCLOSURE
 - FILTERS
 - HANGER BRACKETS (HB)
 - SPRING HANGER BRACKETS (HBS)
 - WATER COIL
 - GT - BRASS AIRFLOW SENSOR GAUGE TAPS
 - CLL3-CASING FACTORY LEAK TESTED UP TO 2% OF SCHEDULED FLOW AT UP TO 3" W.G.
 - CLL4-CASING FACTORY LEAK TESTED UP TO 2% OF SCHEDULED FLOW AT UP TO 4" W.G.
 - CLL6-CASING FACTORY LEAK TESTED UP TO 2% OF SCHEDULED FLOW AT UP TO 6" W.G.

LINER OPTIONS:

- FF
- FF1
- FB
- FB1
- FG1

ALL METRIC DIMENSIONS () ARE SOFT CONVERTED. IMPERIAL DIMENSIONS ARE CONVERTED TO METRIC AND ROUNDED TO THE NEAREST MILLIMETER.

PROJECT:		PRICE®	
ENGINEER:		GF	FDV5000
CUSTOMER:		252411	FAN POWERED TERMINALS VARIABLE VOLUME DIGITAL CONTROLS CERTIFIED LOW LEAKAGE
SUBMITTAL DATE:	SPEC. SYMBOL:	2009/05/19	



		STANDARD MOTOR			
UNIT SIZE	MOTOR H.P.	FULL LOAD AMPS			
		115V	208V	240V	277V
20	1/8	2.9	0.9	0.8	1.1
30	1/4	4.7	0.8	0.7	1.7
40	1/2	9.8	3.8	3.8	3.2
50	3/4	12.3	5.4	5.2	4.4
60	1	-	6.5	7.8	7.8

		ECM MOTOR		
UNIT SIZE	MOTOR H.P.	FULL LOAD AMPS		
		115V	240V	277V
20	1/3	3.9	1.9	1.6
30	1/2	7.0	3.5	3.0
40	1/2	7.7	3.5	3.0
50	1	12.6	6.1	5.4
60	1	12.6	6.1	5.4

FLA AT 0.1" w.g. (25Pa) EXTERNAL STATIC PRESSURE AT MAX. FLOW.

IMPERIAL UNITS (inches)	UNIT SIZE	MAXIMUM FAN CFM	PRIMARY AIR INLET A		RETURN AIR INLET		OUTLET DUCT SIZE		W	H	L	GAUGE	ACCESS SIZES
			D	E	D	E	B	C					
	20	750	6,8,10	14	12 1/2	14	12 1/2	31	17 1/2	25 1/2	22	18 x 18	
	30	1350	8,10,12	14	12 1/2	14	12 1/2	31	17 1/2	25 1/2	22		
	40	2000	10,12,14	16	15	16	15	35	17 1/2	29 1/2	20		
	50	2400	12,14,16	20	17 1/2	20	17 1/2	42 1/4	20	35	20		
	60	3000	14,16	24	18	24	18	42 1/4	20	36 1/4	20	24 x 24	

SI UNITS (mm)	UNIT SIZE	MAXIMUM FAN L/S	PRIMARY AIR INLET A		RETURN AIR INLET		OUTLET DUCT SIZE		W	H	L	GAUGE	ACCESS SIZES
			D	E	D	E	B	C					
	20	354	152,203,254	356	318	356	318	787	445	648	22	457 x 457	
	30	637	203,254,305	356	318	356	318	787	445	648	22		
	40	943	254,305,356	406	381	406	381	889	445	750	20		
	50	1132	305,356,406	508	445	508	445	1073	508	889	20		
	60	1415	356,406	610	457	610	457	1073	508	921	20	610 x 610	

- NOTES:**
- INTERNAL INSULATION - FIBERGLASS 3/4" (19mm) THICK, MIN. 1.5# DENSITY WHICH MEETS THE REQUIREMENTS OF NFPA 90A AND UL181. UNIT INTERNALLY SEALED WITH DUCT SEALER (FIBERGLASS) OR HARDCAST 1602 TAPE (ALL OTHER LINERS).
 - ZINC COATED STEEL HOUSING, GAUGES SHOWN IN TABLE.
 - LOW LEAKAGE DAMPER CONSTRUCTION WITH A DOUBLE GASKET.
 - LEAKAGE CERTIFICATION LABEL PROVIDED BY FACTORY.
 - UNITS NOT TO BE USED FOR TEMPORARY HEAT OR VENTILATION DURING CONSTRUCTION.
 - MINIMUM 0.1" w.g. (25 Pa) EXTERNAL STATIC PRESSURE TO OPERATE. (UNITS WITH ELECTRIC HEAT REQUIRE MINIMUM 0.2" w.g. (50 Pa))
 - ELECTRIC MOTORS 1 PHASE, 60 CYCLE.
 - LISTED UL1995 & CSA236 ASSEMBLY.
 - HOT WATER COILS HAVE COPPER TUBES AND ALUMINUM FINNS WITH O.D. SWEAT CONNECTIONS.
 - METHOD OF VENTING REHEAT COIL IS TO BE PROVIDED BY INSTALLING CONTRACTOR.
 - PRICE CONTROLS FACTORY MOUNTED.
 - PRICE THERMOSTAT FIELD MOUNTED.

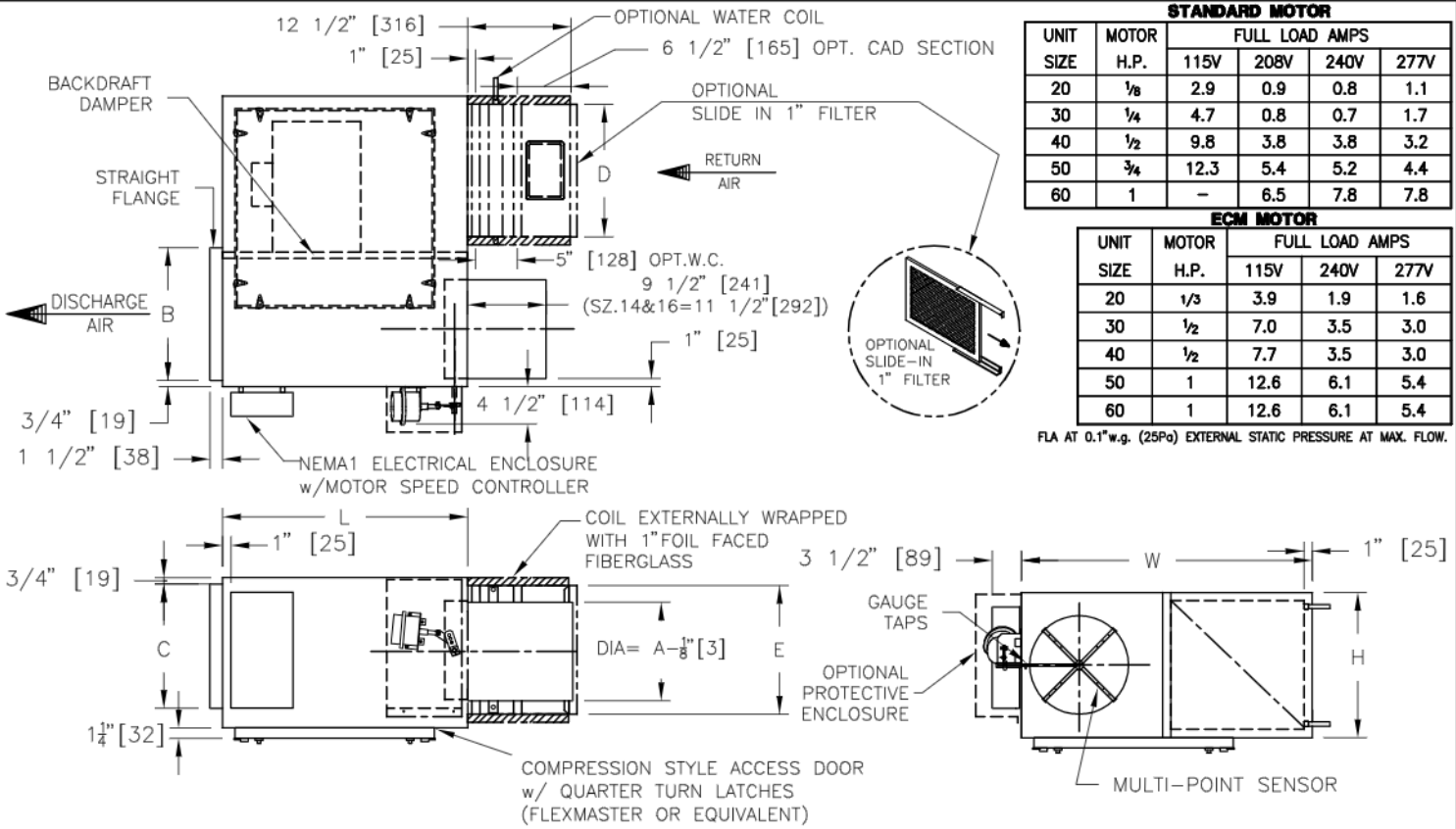
- LINER OPTIONS:**
- FF FF1
 - FB FB1
 - FG1

- OPTIONS:**
- ECM MOTOR
 - DISCONNECT SWITCH (DSW)
 - 20GA CASING (SZ. 20,30 ONLY)
 - WATER COIL
 - FILTERS
 - HANGER BRACKETS (HB), SHIPPED LOOSE
 - SPRING HANGER BRACKETS (HBS)
 - CLL3-CASING FACTORY LEAK TESTED UP TO 2% OF SCHEDULED FLOW AT UP TO 3" W.G.
 - INLET ATTENUATOR SECTION
 - CLL4-CASING FACTORY LEAK TESTED UP TO 2% OF SCHEDULED FLOW AT UP TO 4" W.G.
 - CLL6-CASING FACTORY LEAK TESTED UP TO 2% OF SCHEDULED FLOW AT UP TO 6" W.G.



ALL METRIC DIMENSIONS () ARE SOFT CONVERTED. IMPERIAL DIMENSIONS ARE CONVERTED TO METRIC AND ROUNDED TO THE NEAREST MILLIMETER.

PROJECT:			
ENGINEER:			
CUSTOMER:		GF	FDV8000 FAN POWERED TERMINALS VARIABLE VOLUME PRICE CONTROLS CERTIFIED LOW LEAKAGE
SUBMITTAL DATE:		252457	
SPEC. SYMBOL:		2009/05/28	



STANDARD MOTOR

UNIT SIZE	MOTOR H.P.	FULL LOAD AMPS			
		115V	208V	240V	277V
20	1/8	2.9	0.9	0.8	1.1
30	1/4	4.7	0.8	0.7	1.7
40	1/2	9.8	3.8	3.8	3.2
50	3/4	12.3	5.4	5.2	4.4
60	1	-	6.5	7.8	7.8

ECM MOTOR

UNIT SIZE	MOTOR H.P.	FULL LOAD AMPS		
		115V	240V	277V
20	1/3	3.9	1.9	1.6
30	1/2	7.0	3.5	3.0
40	1/2	7.7	3.5	3.0
50	1	12.6	6.1	5.4
60	1	12.6	6.1	5.4

FLA AT 0.1" w.g. (25Pa) EXTERNAL STATIC PRESSURE AT MAX. FLOW.

IMPERIAL UNITS (Inches)

UNIT SIZE	MAXIMUM FAN CFM	PRIMARY AIR INLET A	RETURN AIR INLET		OUTLET DUCT SIZE		W	H	L	GAUGE	ACCESS SIZES
			D	E	B	C					
20	750	6,8,10	14	12 1/2	14	12 1/2	31	17 1/2	25 1/2	22	18 x 18
30	1350	8,10,12	14	12 1/2	14	12 1/2	31	17 1/2	25 1/2	22	
40	2000	10,12,14	16	15	16	15	35	17 1/2	29 1/2	20	
50	2400	12,14,16	20	17 1/2	20	17 1/2	42 1/4	20	35	20	24 x 24
60	3000	14,16	24	18	24	18	42 1/4	20	36 1/4	20	

SI UNITS (mm)

UNIT SIZE	MAXIMUM FAN L/S	PRIMARY AIR INLET A	RETURN AIR INLET		OUTLET DUCT SIZE		W	H	L	GAUGE	ACCESS SIZES
			D	E	B	C					
20	354	152,203,254	356	318	356	318	787	445	648	22	457 x 457
30	637	203,254,305	356	318	356	318	787	445	648	22	
40	943	254,305,356	406	381	406	381	889	445	750	20	
50	1132	305,356,406	508	445	508	445	1073	508	889	20	610 x 610
60	1415	356,406	610	457	610	457	1073	508	921	20	

- NOTES:**
- INTERNAL INSULATION - FIBERGLASS 3/4" (19mm) THICK, MIN. 1.5# DENSITY WHICH MEETS THE REQUIREMENTS OF NFPA 90A AND UL181. UNIT INTERNALLY SEALED WITH DUCT SEALER (FIBERGLASS) OR HARDCAST 1602 TAPE (ALL OTHER LINERS).
 - ZINC COATED STEEL HOUSING, GAUGES SHOWN IN TABLE.
 - LOW LEAKAGE DAMPER CONSTRUCTION WITH A DOUBLE GASKET.
 - LEAKAGE CERTIFICATION LABEL PROVIDED BY FACTORY.
 - UNITS NOT TO BE USED FOR TEMPORARY HEAT OR VENTILATION DURING CONSTRUCTION.
 - MINIMUM 0.1" w.g. (25 PA) EXTERNAL STATIC PRESSURE TO OPERATE.
 - ELECTRIC MOTORS 1 PHASE, 60 CYCLE.
 - LISTED UL1995 & CSA236 ASSEMBLY.
 - HOT WATER COILS HAVE COPPER TUBES AND ALUMINUM FINS WITH O.D. SWEAT CONNECTIONS.
 - METHOD OF VENTING REHEAT COIL IS TO BE PROVIDED BY INSTALLING CONTRACTOR.
 - PNEUMATIC CONTROLS BY PRICE.



- OPTIONS:**
- ECM MOTOR
 - FILTERS
 - CLL3-CASING FACTORY LEAK TESTED UP TO 2% OF SCHEDULED FLOW AT UP TO 3" W.G.
 - CLL4-CASING FACTORY LEAK TESTED UP TO 2% OF SCHEDULED FLOW AT UP TO 4" W.G.
 - CLL6-CASING FACTORY LEAK TESTED UP TO 2% OF SCHEDULED FLOW AT UP TO 6" W.G.
 - DISCONNECT SWITCH (DSW)
 - HANGER BRACKETS (HB)
 - SPRING HANGER BRACKETS (HBS)
- LINER OPTIONS:**
- FF
 - FB
 - FG1
 - 20GA. CASING (SZ. 20, 30 ONLY)
 - WATER COIL
 - INLET ATTENUATOR SECTION
 - PROTECTIVE SHROUD

ALL METRIC DIMENSIONS () ARE SOFT CONVERTED. IMPERIAL DIMENSIONS ARE CONVERTED TO METRIC AND ROUNDED TO THE NEAREST MILLIMETER.

PROJECT:	PRICE	
ENGINEER:	GF	FPV8000
CUSTOMER:	252458	FAN POWERED TERMINALS VARIABLE VOLUME PNEUMATIC CONTROLS CERTIFIED LOW LEAKAGE
SUBMITTAL DATE:	SPEC. SYMBOL:	2009/05/28